

NanoPi NEO Plus2

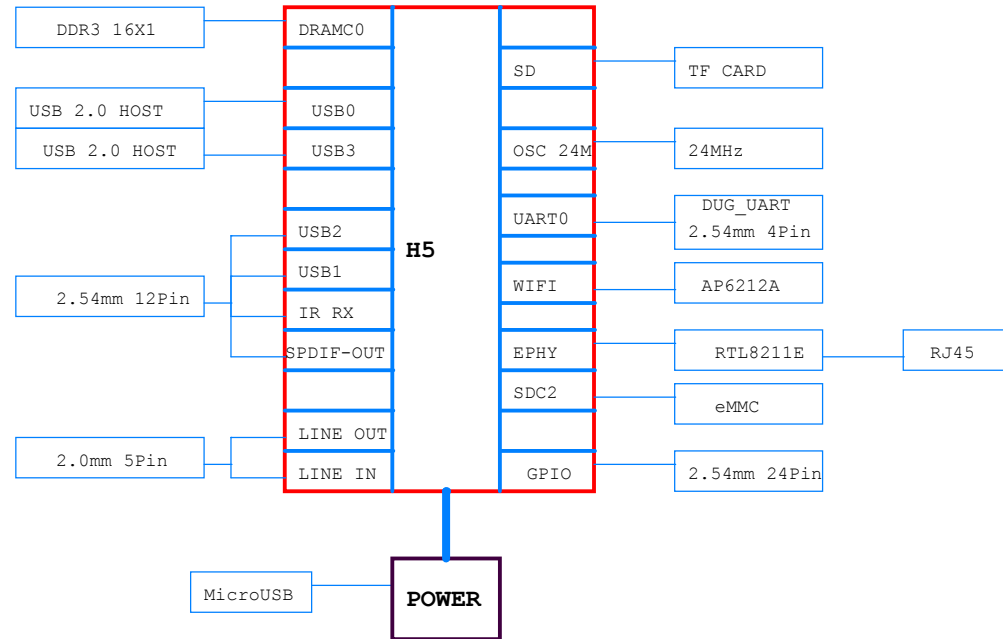
Revision

1704 , V1.0

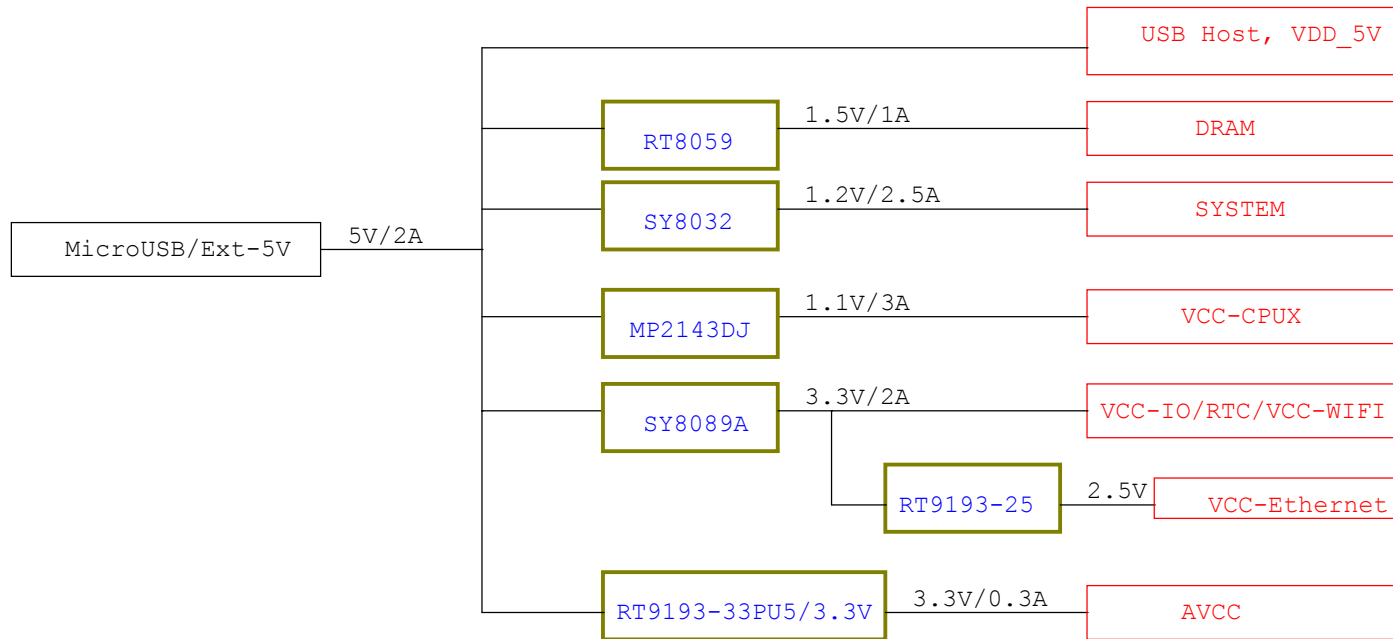


NanoPi NEO Plus2		
Size A3	Document Number Title	Rev 1704
Date:	Thursday, May 25, 2017	Sheet 1 of 15

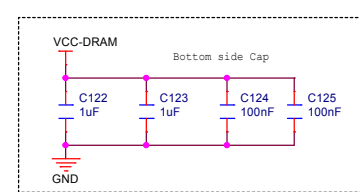
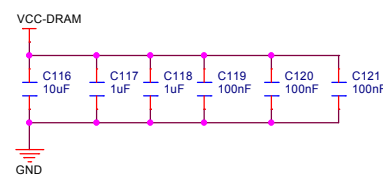
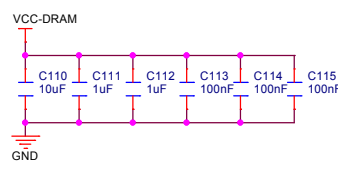
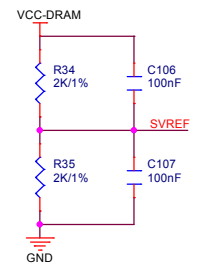
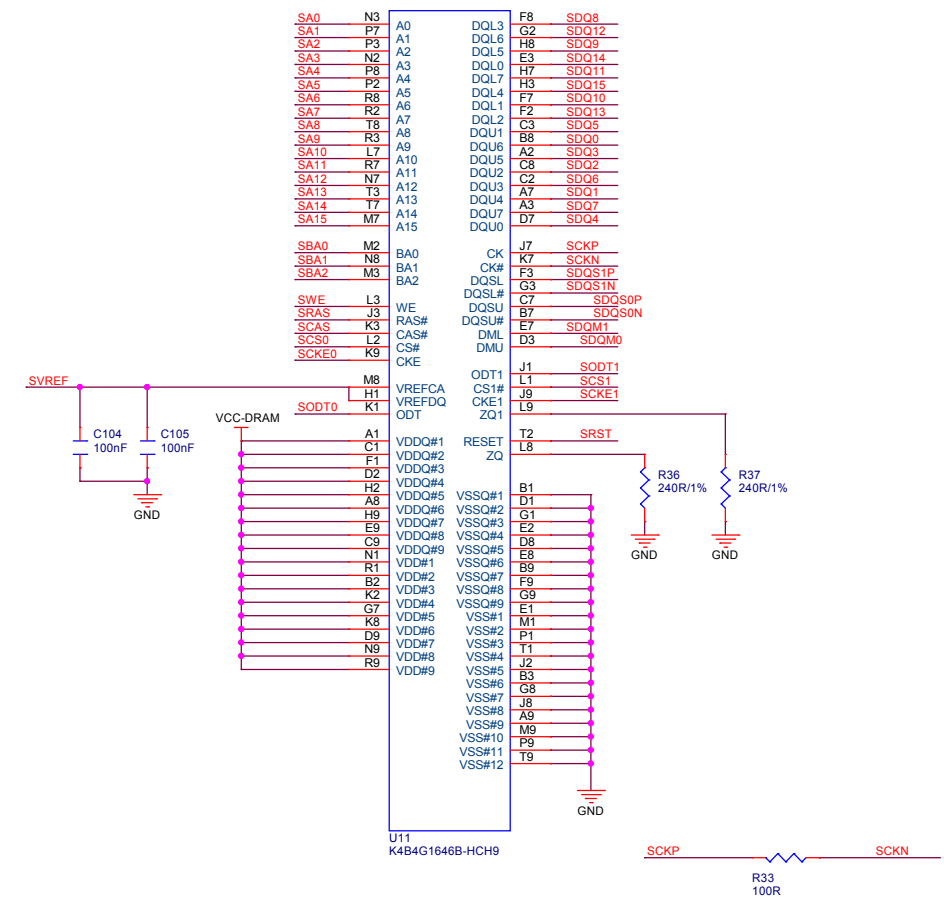
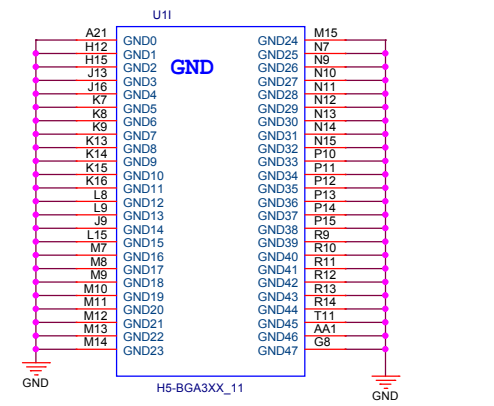
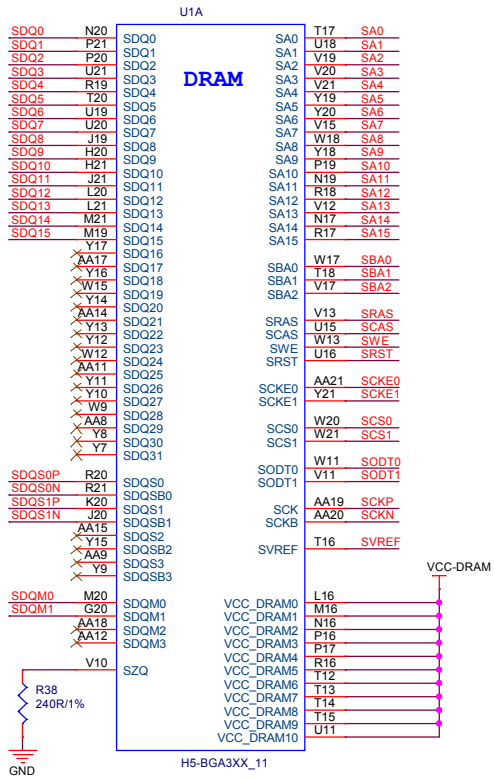
BLOCK



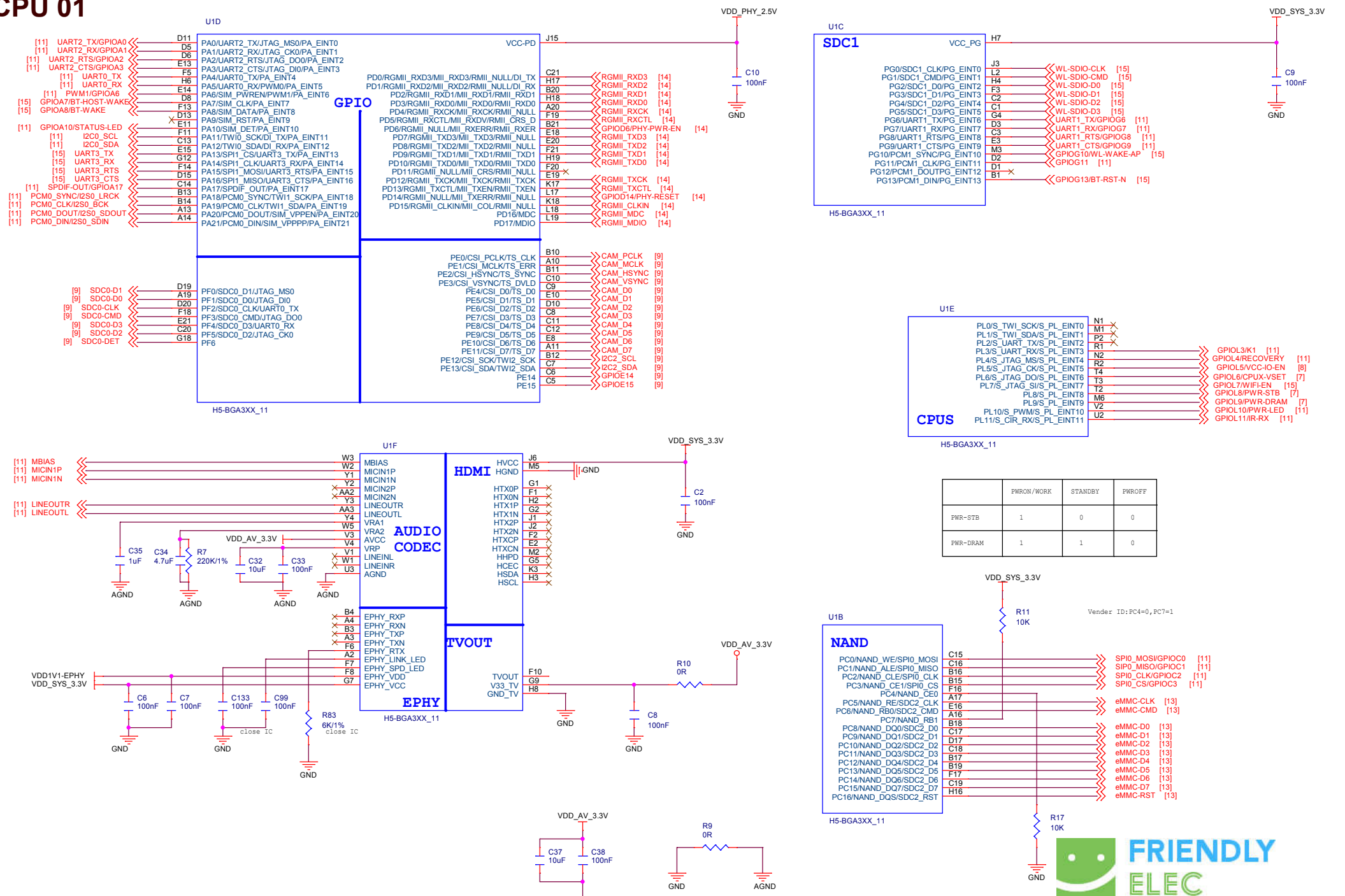
POWER TREE



DDR3 16x1



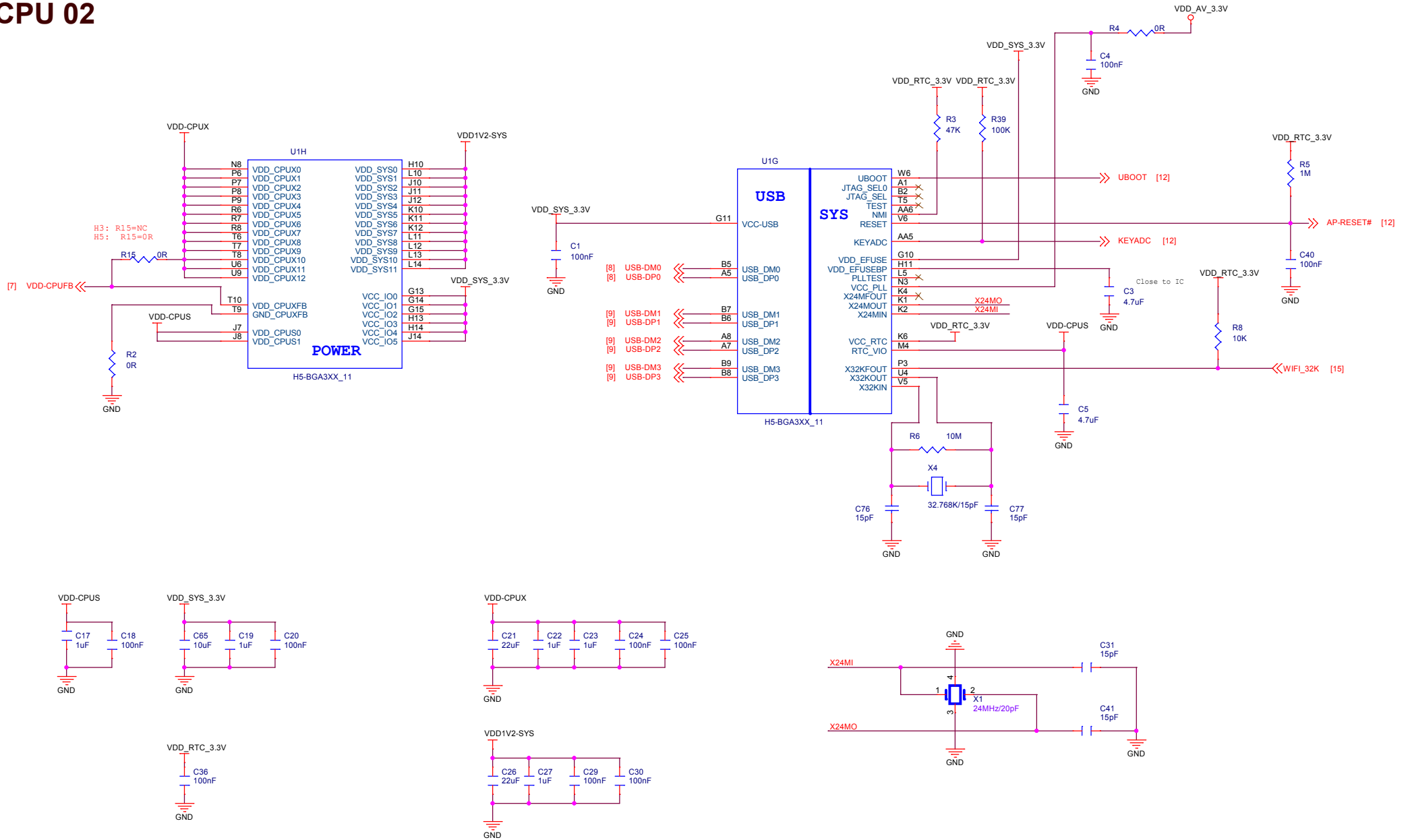
CPU 01



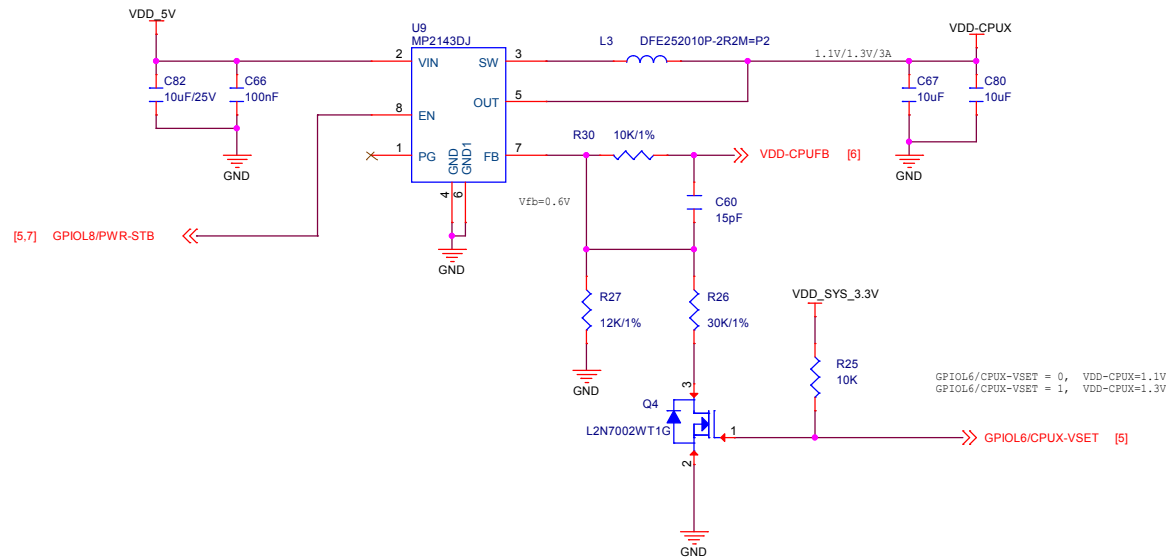
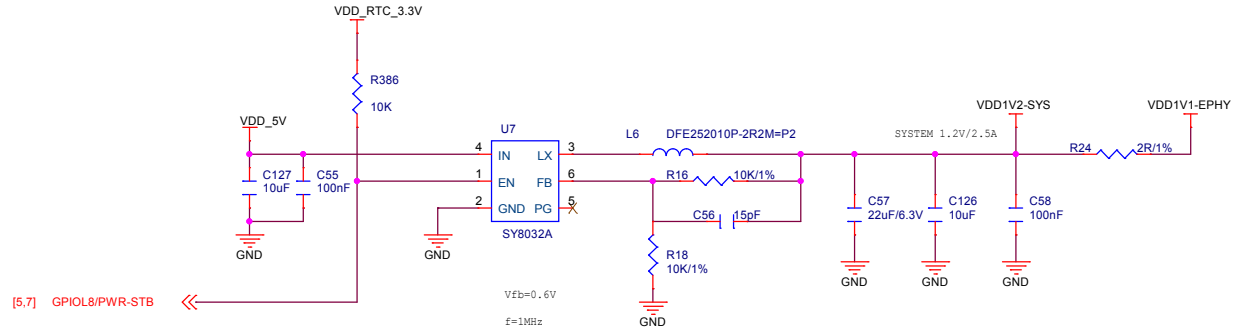
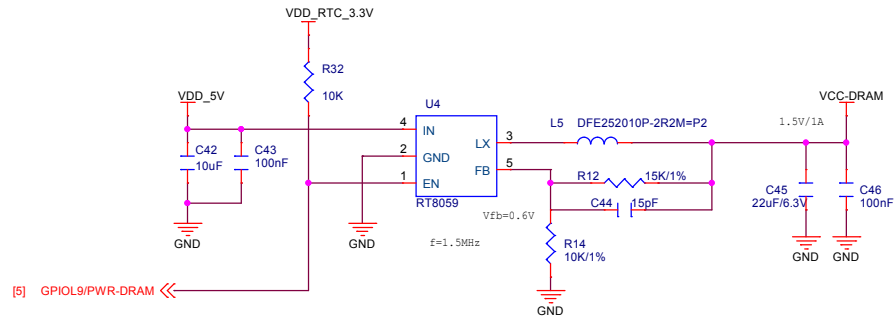
	PWRON/WORK	STANDBY	PWROFF
PWR-STB	1	0	0
PWR-DRAM	1	1	0



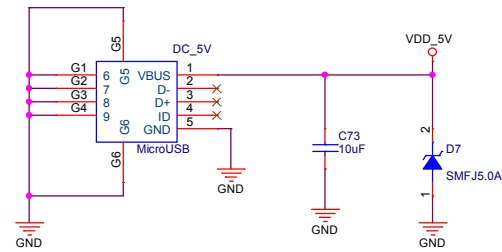
CPU 02



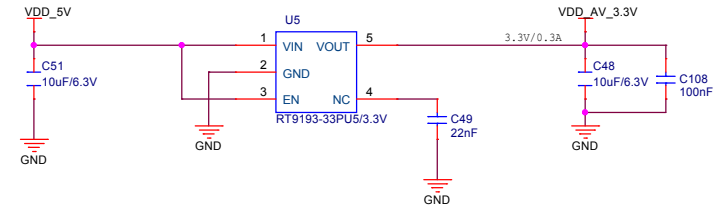
POWER 01



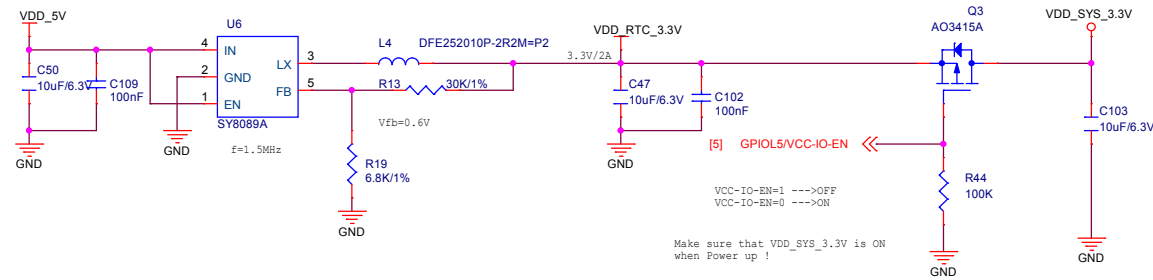
POWER 02



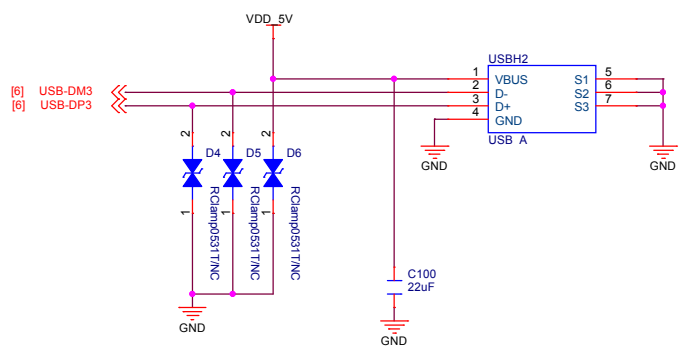
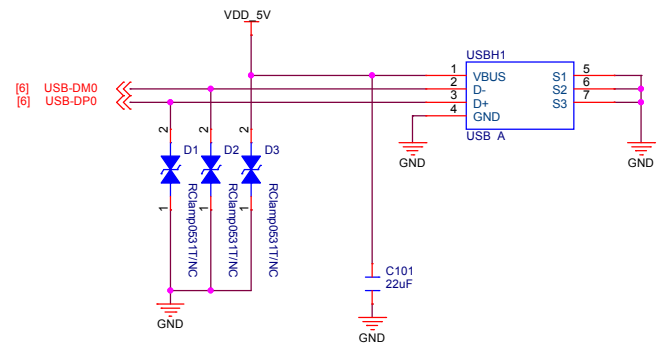
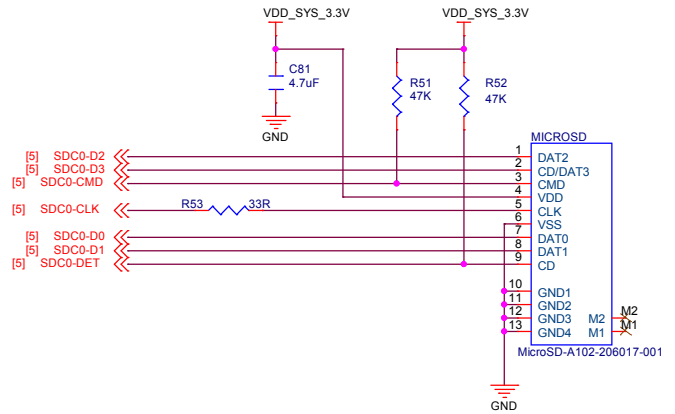
VCC-AVCC 3.3V/0.3A



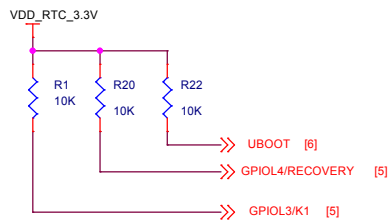
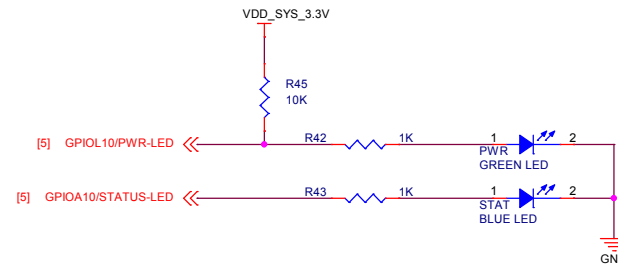
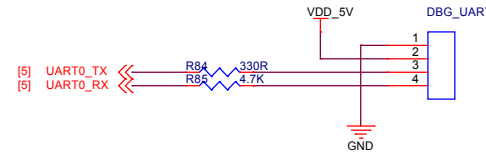
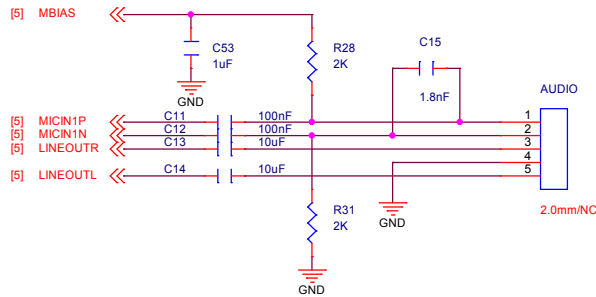
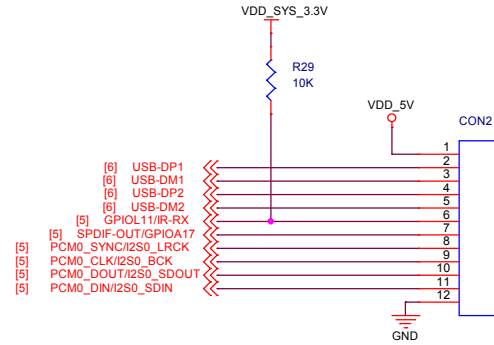
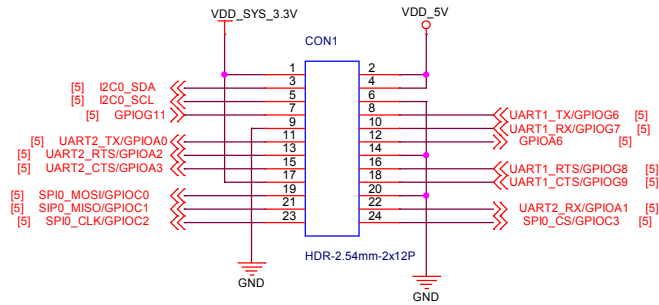
VCC-IO 3.3V/2A

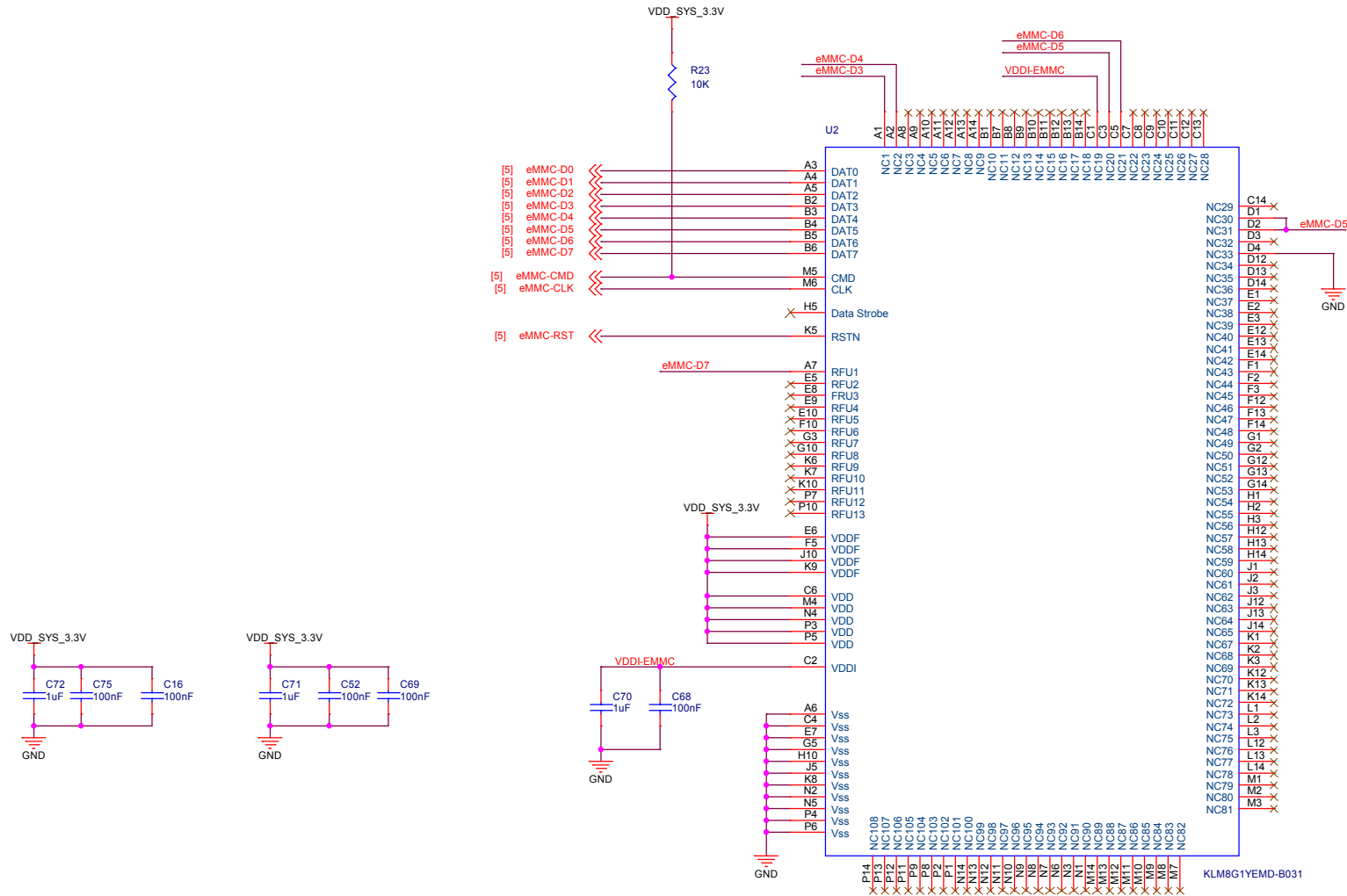


TF,USB Host

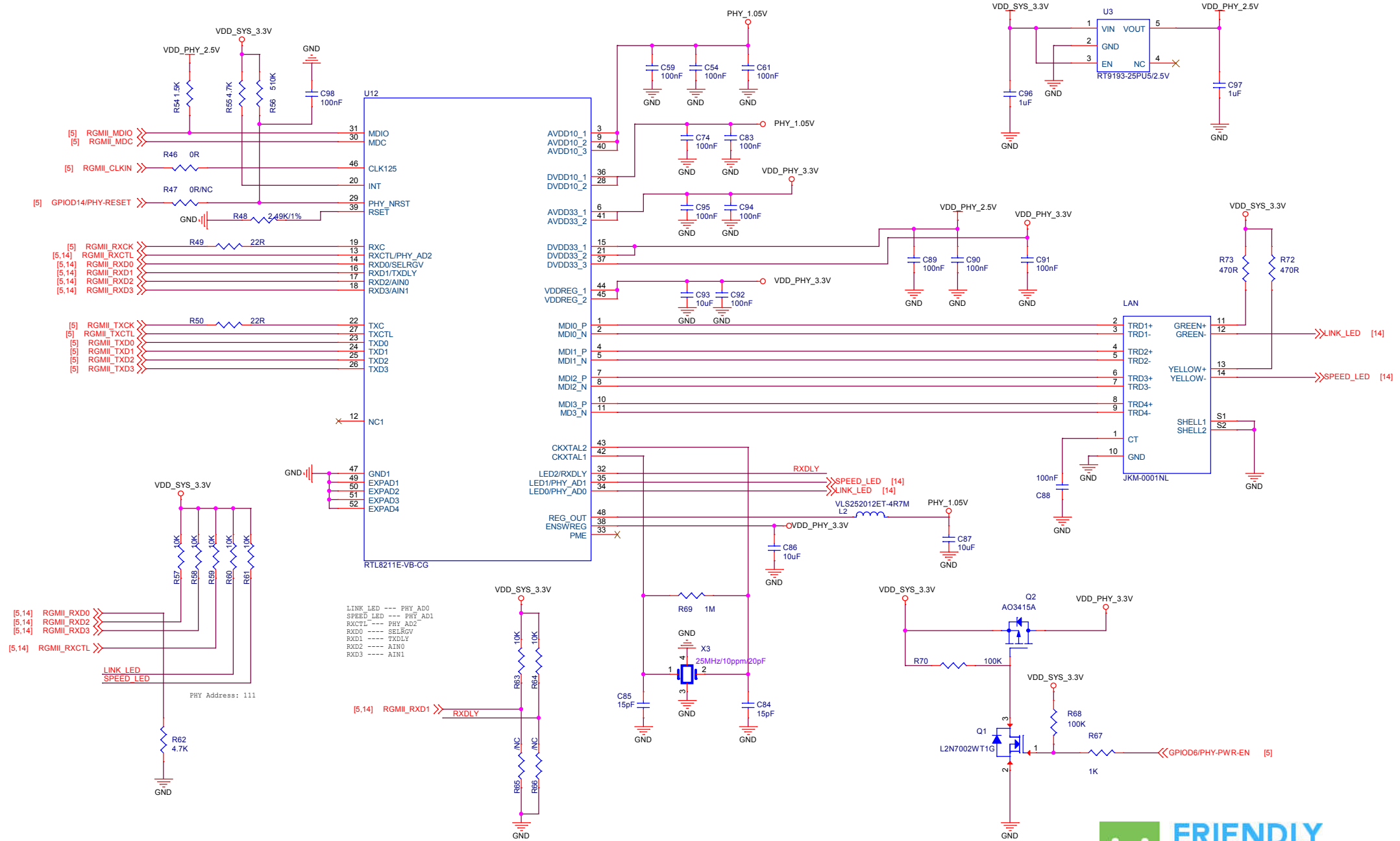


GPIO,LEDs,DBG_UART,AUDIO





10/100/1000M Ethernet



NanoPi NEO Plus2		
Size	Document Number	Rev
A3	10/100/1000M Ethernet	1704
Date:	Thursday, May 25, 2017	Sheet 14 of 15

